



Job _____ Item No. _____

Pro-Max 2.0® Sandwich Grill

PGC28I PGC28IE PSC28IGT PSC28I PSC28IE
PSC28IT PGC28IT PSC28IEGT PSC28ITGT



PSC28I

DESCRIPTION

The Star Pro-Max 2.0® sandwich grills are designed to cook wraps, sandwiches, chicken breasts, hamburgers, and much more. The design is compact and portable providing flexibility. These grills can come with smooth, grooved, or combination surfaces, all made of cast iron. The available digital electronic temperature control and timer are industry leading options.

SPECIFICATIONS

The PSC28 and PGC28 sandwich grills will be constructed in the U.S.A. with a corrosion-resistant stainless steel body. The hinge mechanism will use a heavy-duty counterbalance design. The grill will come with grooved, smooth, or combination smooth bottom/grooved top cooking surfaces depending on model. The platens will also be cast iron. The grill will provide contact heating to items on items up to three [3] inches (762 mm) thick. The grill will operate between 175°F (79°C) and 550°F (288°C) and will be controlled by a bulb and cap thermostat or digital electronic control depending on model. The power will be single phase. Each unit will come with a pre-wired six [6] foot (183 cm) cord with a standard NEMA 6-30P plug or an optional NEMA 6-50P plug to meet CSA standards.

WARRANTY

These units come with a one [1] year warranty for parts and labor.

FEATURES

- Heavy-duty counterbalance hinge system provides simple, durable, problem free operation
- Accommodates sandwiches up to three [3] inches (76 mm) thick with consistent contact and heating
- Cast iron cooking surfaces provide superb heat retention.
- Grooved, smooth or combination smooth bottom/grooved top cooking surfaces
- Multiple control options— analog temperature with or without digital timer, or electronic.
- Heavy-gauge oil and water resistant conduit protects electrical connections

OPTIONS & ACCESSORIES

- smooth, grooved, or combination smooth bottom/grooved top cooking surface
- electronic temperature control and timer or electronic timer only

SANDWICH GRILL MODEL FORMULA

plate style grooved [PGC] smooth [PSC]

grill width 28 [28]

plate material iron [I]

options no timer [no letter] electronic timer [T]

electronic temp. control and timer [E]

specialty options smooth bottom/grooved top [GT]

CERTIFICATIONS



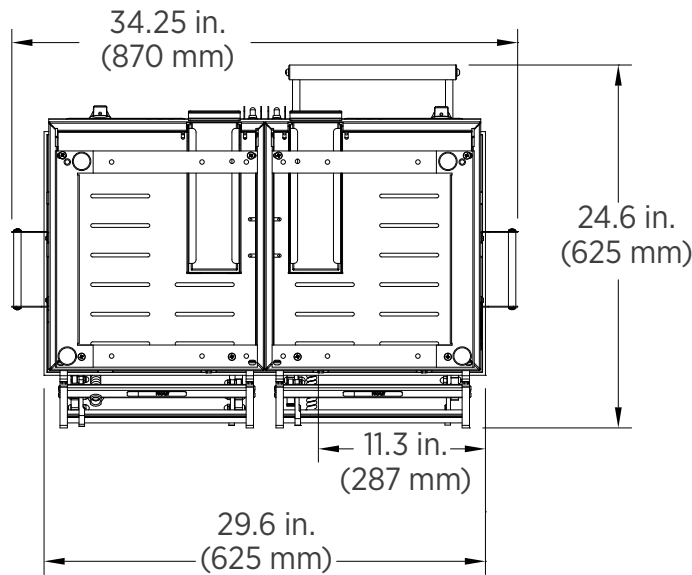
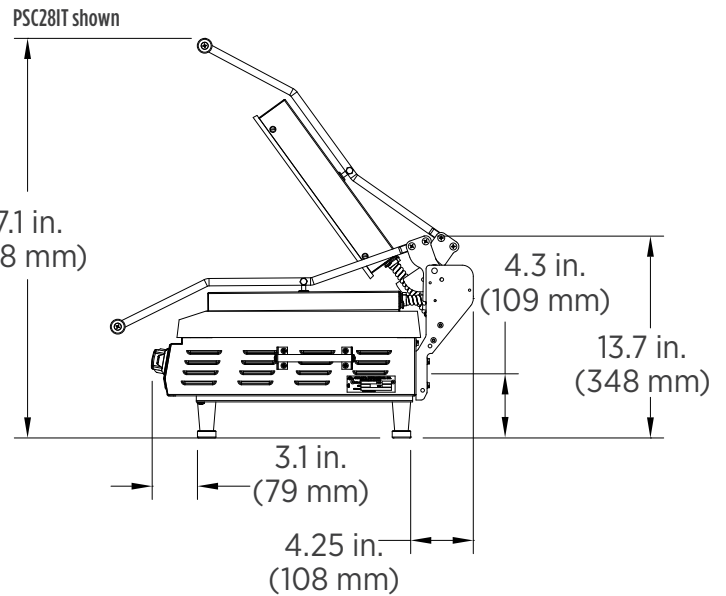
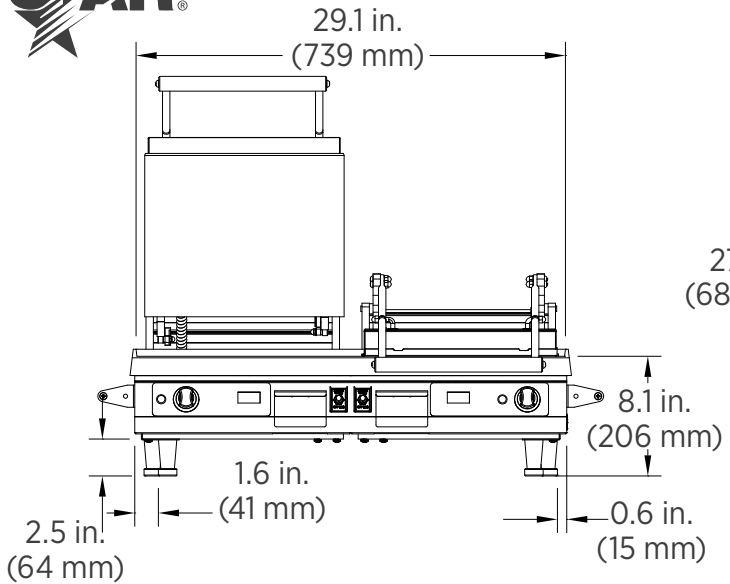
STAR MANUFACTURING INTERNATIONAL INC.
10 Sunnen Drive • Saint Louis, Missouri 63143
Telephone 888 356 5362 • Fax 314 781 5445
www.star-mfg.com

Printed in the U.S.A. • 2M-Z22032 • Rev - • 01.2017
Specifications are subject to change without notice and are not intended for installation purposes.



Pro-Max 2.0® Sandwich Grill

□PGC28I □PGC28IE □PSC28IGT □PSC28I □PSC28IE
□PSC28IT □PGC28IT □PSC28IEGT □PSC28ITGT



MODEL	HEIGHT CLOSED-OPEN	WIDTH	DEPTH	LEG HEIGHT	APPROX. SHIP WEIGHT	APPROX. WEIGHT INSTALLED
PGC28/ PSC28	13.7 in.-27.1 in. (348 mm-688 mm)	34.25 in. (870 mm)	24.6 in. (625 mm)	2.5 in. (64 mm)	206 lb. (93.4 kg)	190 lb. (93.4 kg)
MODEL	VOLTS	WATTS	AMPS	PLUG	TWO-SIDED COOKING SURFACE	LOWER PLATEN SUR- FACE
PGC28/PSC28	208/240	5,400/7,200	26/30	6-30P ¹	13.5 in. x 13.5 in. ² (343 mm x 343 mm) ²	29.1 in x 14.2 in. (739 mm x 361 mm)

¹6-50P for CSA



6-30P



6-50P

²this model uses two [2] platens this size

Due to periodic changes in designs, methods, procedures, policies and regulations, the specifications contained in this sheet are subject to change without notice. While Star Manufacturing exercises good faith efforts to provide information that is accurate, we are not responsible for errors or omissions in information provided or conclusions reached as a result of using the specifications. By using the information provided, the user assumes all risks in connection with such use.



STAR MANUFACTURING INTERNATIONAL INC.

10 Sunnen Drive • Saint Louis, Missouri 63143
Telephone 888 356 5362 • Fax 314 781 5445
www.star-mfg.com

Printed in the U.S.A. • 2M-Z22032 • Rev - • 01.2017
Please refer to the owner's manual for information
regarding installation or use.