



Job _____ Item No. _____

Rolling Tortilla Warmer

□RTW14E □RTW20E



RTW14E
patent no. 9,516,883

DESCRIPTION

The patent pending RTW rolling tortilla warmers are designed to heat tortillas, pitas, and other flatbread products up to 3/8-inch (10 mm) thick evenly, efficiently, and in a matter of seconds. The compact design is ideal for any location and can be wall-mounted for further convenience.

SPECIFICATIONS

The RTW-series rolling tortilla warmers will be constructed in the U.S.A. with a corrosion-resistant stainless steel body. Units will be supplied with electronic controls to adjust temperature up to a maximum of 480° F (249° C) and adjust drum speed. Each unit will be capable of heating up to 24 - six [6] inch (152mm) tortillas or 10 - twelve [12] inch tortillas to a target temperature of 160° F (71° C) per minute. Both upper inlet tray and lower output tray will be included and will be constructed of stainless steel. Units will come with four [4] inch (102 mm) legs on RTW14E models and six [6] inch (152 mm) legs on RTW20E models. The power on the RTW14E will come as a 120 V [5-15P plug] version or a 230 V [CEE7-7 plug] version, will be single phase, and will use a. The RTW20E will be 208/240 volts, single phase, and will use a 6-15P plug. Both units will use a six [6] foot (1.83 m) power cord.

WARRANTY

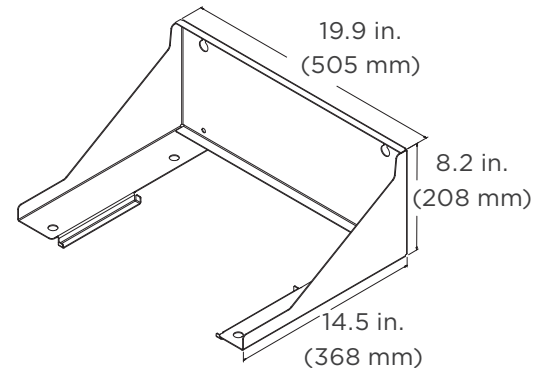
These units come with a one [1] year warranty for parts and labor.

FEATURES

- Heats products to a target temperature of 160° F (71° C) in a matter of seconds
- RTW14E models can heat up to 900 6-inch (152 mm) tortillas per hour and RTW20E models can heat up to 1,350 6-inch (152 mm) tortillas per hour.
- Electronic control allows easy and precise adjustment of the thermostat up to 480° F (249° C) and quick changes to drum speed
- Efficient radiant heating uses substantially less energy and cuts down on excess heat outside of the unit for a cooler working environment
- Top cover swings open and upper and lower tray remove for easy cleaning
- Staltek™ drum coating is easy to clean and exceptionally durable.

OPTIONS & ACCESSORIES

- 4-Inch (102 mm) leg kit for RTW20E [part number LK-4-1/2]
- Wall mount kit [RTW14-WMB shown]



CERTIFICATIONS



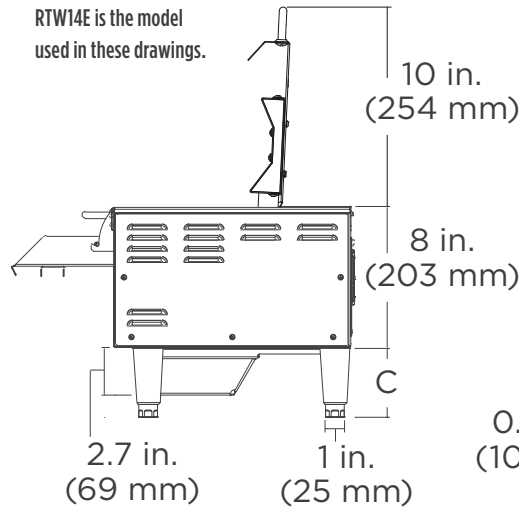
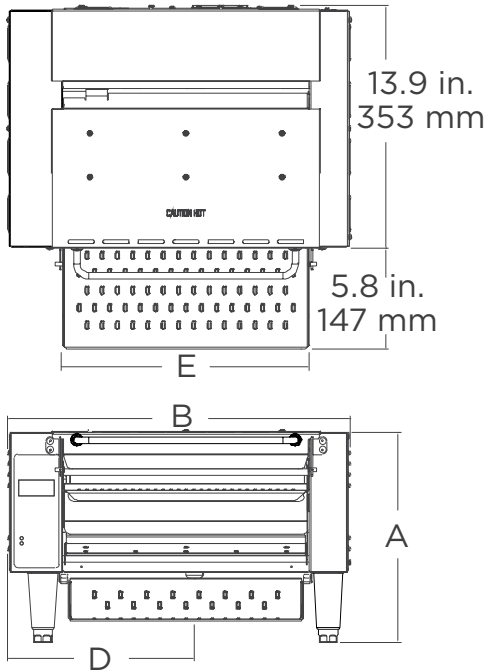
STAR MANUFACTURING INTERNATIONAL INC.
10 Sunnen Drive • Saint Louis, Missouri 63143
Telephone 888 356 5362 • Fax 314 781 5445
www.star-mfg.com

Printed in the U.S.A. • 2M-Z21286 • Rev D • 01.2017
Specifications are subject to change without notice and are not intended for installation purposes.



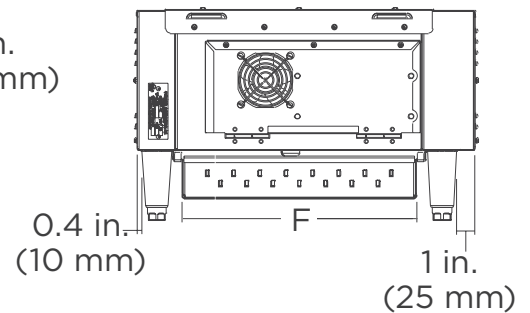
Rolling Tortilla Warmer

□RTW14E □RTW20E



CLEARANCES

Please allow at least ten [10] inches (254 mm) of space to open the top for cleaning if the unit is to remain stationary. There should be at least one [1] inch (25 mm) of clearance on each side and behind the unit as well.



MODEL	HEIGHT [A] in. (mm)	WIDTH [B] in. (mm)	DEPTH in. (mm)	LEG HEIGHT [C] in. (mm)	VOLTS	AMPS	WATTS	POWER PLUG	APPROX. SHIP WEIGHT	APPROX. WEIGHT INSTALLED
RTW14E ¹	12 (302)	19.6 (498)	19.7 (500)	4 (102)	120 230	10.05 4.5	1,206 1,045	5-15P CEE 7/7	59 lb. (26.8 kg)	50 lb. (22.7 kg)
RTW20E ¹	14 (356)	25.2 (640)	19.7 (500)	6 (152)	208/ 240	7.0/ 7.8	1,460/ 1,875	6-15P	71 lb. (32.2 kg)	62 lb. (28.1 kg)



MODEL	CORD DISTANCE FROM CONTROL SIDE [D]	CORD DISTANCE FROM CONTROL REAR	INLET TRAY WIDTH [E]	OUTPUT TRAY WIDTH [F]
RTW14E ¹	10.7 in. (272 mm)	1.4 in (36 mm)	14.1 in. (358 mm)	13.4 in. (340 mm)
RTW20E ¹	14.5 in. (368 mm)	1.4 in (36 mm)	19.4 in. (493 mm)	18.9 in. (480 mm)

¹ patent no. 9,516,883

Due to periodic changes in designs, methods, procedures, policies and regulations, the specifications contained in this sheet are subject to change without notice. While Star Manufacturing exercises good faith efforts to provide information that is accurate, we are not responsible for errors or omissions in information provided or conclusions reached as a result of using the specifications. By using the information provided, the user assumes all risks in connection with such use.



STAR MANUFACTURING INTERNATIONAL INC.

10 Sunnen Drive • Saint Louis, Missouri 63143
 Telephone 888 356 5362 • Fax 314 781 5445
 www.star-mfg.com

Printed in the U.S.A. • ZM-Z21286 • Rev D • 01.2017
 Please refer to the owner's manual for information regarding installation or use.